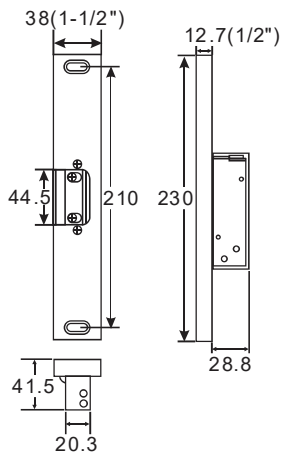


DUAL MODE -For Rim Exit Device

DEL3310



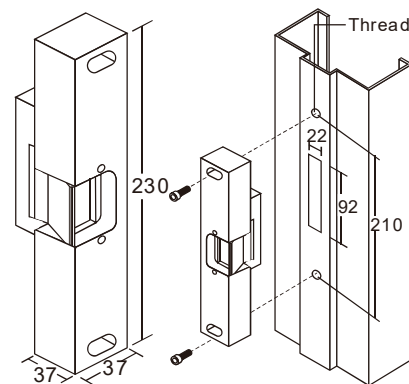
DEL3310 DIMENSION



General Feature

- ★ DIMENSIONS:
DEL3310: 230mmLx38mmWx41.5mmD
Voltage: 12V or 24VDC/AC
Mode: Aluminum face Plate fail secure.
- ★ Current:
400mA/12VDC or 200mA/24VDC (specify on order)
540mA/12VAC or 308mA/24VAC (specify on order)
- ★ Door Latch: 15 mm
- ★ Site convertible from one mode to the other (Fail secure default, unless specify on order)

INSTALLATION

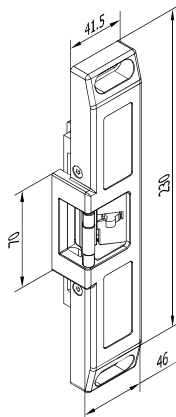


UNIT:mm

DEL3350SLD



DEL3350SLD DIMENSION

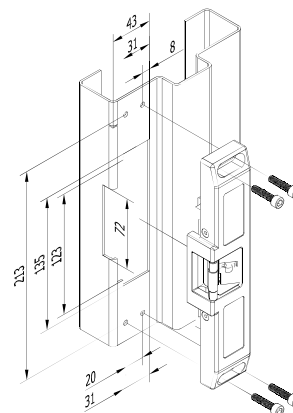


UNIT:mm

General Feature

- ★ DIMENSIONS:
DEL3350SLD: 230mmLx46mmWx30.5mmD
Voltage: 12V or 24VDC
Mode: Failsafe/ Failsecure with door & lock sensor
- ★ Current:
280mA/12VDC 140mA/24VDC
- ★ Material: Stainless Steel
- ★ Door Latch: 17 mm
- ★ Keeper sensor(optional)
- ★ Site convertible from one mode to the other (Fail secure default, unless specify on order)

INSTALLATION



UNIT:mm